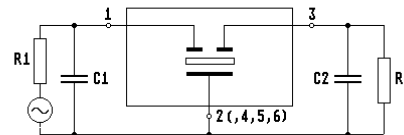
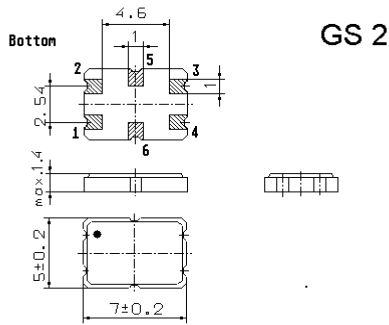


Specification for monolithic crystal filter: **MQF 27.0 - 2400 / 01**

**1. General**

1.1. Case:



- 1.2. Type name: MQF 27.0-2400/01
- 1.3. Number of poles: 2, fundamental
- 1.5. Operating temperature range: -40°C to +85°C
- 1.6. Storage temperature range: -55°C to +85°C

**2. Electric values**

- 2.1. Nominal centre frequency fo: 27.0 MHz
- 2.2. **Pass band**
  - 2.2.1. Bandwidth between 3 dB - frequencies: > fo ± 12 kHz
  - 2.2.2. Ripple: < 1.0 dB at fo ± 3 kHz
  - 2.2.3. Insertion loss: < 3.0 dB  
( measured on smallest attenuation in pass band )
- 2.3. **Stop band**
  - 2.3.1. fo ± 25 kHz > 10 dB
  - 2.3.2. fo ± 40 kHz > 18 dB
  - 2.3.3. Alternate attenuation 20.9...21.1 MHz > 40 dB
  - 2.3.4. Spurious responses > 15 dB
- 2.4. Terminating impedance ( input and output ): 1000 Ω // 1.6 pF
- 2.6. Maximum Input Level: working/non damaged 0/+15 dBm
- 3. Marking on the case: M27A  
tft datecode
- 4. Environment conditions: Corresponding to Telefilter CF001

Edited by: \_\_\_\_\_ date: \_\_\_\_\_ name: \_\_\_\_\_