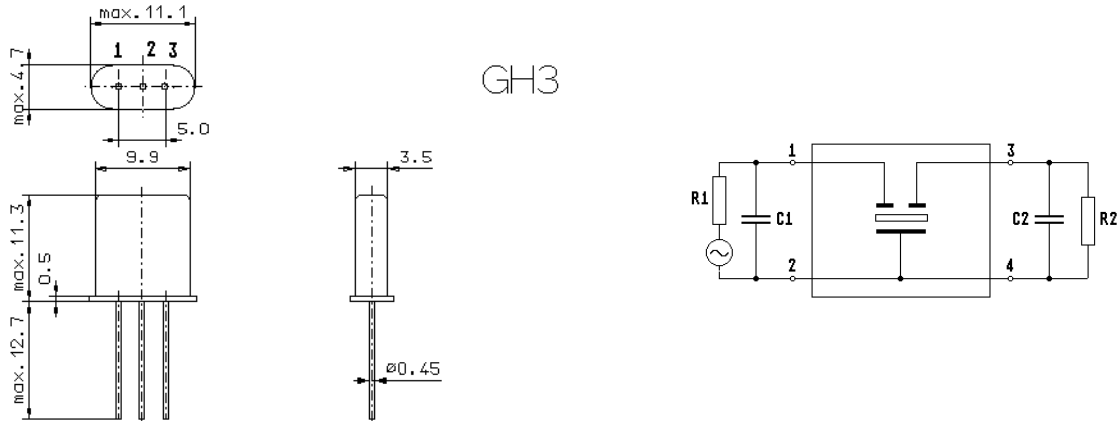


Specification for monolithic crystal filter: **MQF 13.0 - 2500 / 01**

1. General

1.1. Package:



GH3

- 1.2. Type name: MQF 13.0-2500/01
- 1.3. Number of poles: 2
- 1.4. Operable temperature range: -20°C to +70°C
- 1.5. Operating temperature range: -10°C to +55°C
- 1.6. Storage temperature range: -30°C to +80°C

2. Electric values

- 2.1. Nominal centre frequency fo: 13.0 MHz

2.2. Pass band

- 2.2.1. Bandwidth between 1 dB - frequencies: $\geq f_0 \pm 12.5 \text{ kHz}$
- 2.2.2. Ripple: $\leq 0.5 \text{ dB at } f_0 \pm 7.5 \text{ kHz}$
- 2.2.3. Insertion loss: $\leq 2.0 \text{ dB}$
(measured on smallest attenuation in pass band)

2.3. Stop band

- 2.3.1. $f_0 \pm 45 \text{ kHz}$ $\geq 15 \text{ dB}$
- 2.3.2. $f_0 \pm 250 \text{ kHz}$ $\geq 40 \text{ dB}$
- 2.3.3. Spurious responses: $\geq 10 \text{ dB}$

- 2.4. Terminating impedance (input and output): $4000 \Omega // -0.2 \text{ pF}$

- 3. Marking: manufacturer, date code
13.0-2500/01

- 4. Environment conditions: Corresponding to Telefilter CF001

Edited by: _____ date: _____ name: _____