

Monolithic crystal filter

MQF10.7-1500/06



Application

- 8 pol filter
- i.f.- filter
- use in mobile and stationary transceivers

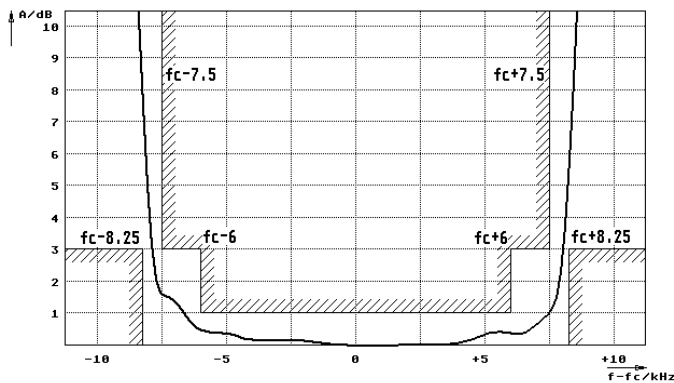
Limiting values		Unit	Value
Nominal frequency	f_0	MHz	10.7
Centre frequency	f_c	MHz	$10.7 \pm 300 \text{ Hz}$
Insertion loss		dB	< 3.5
Pass band at 3.0dB		kHz	$\pm > 7.5$
		kHz	$\pm < 8.25$
Ripple in pass band	$f_c \pm 6 \text{ kHz}$	dB	< 1.0
Stop band attenuation	$f_c \pm 17.5 \text{ kHz}$	dB	> 70
	$f_c \pm 25 \text{ kHz}$	dB	> 90
Alternate attenuation	$f_c \pm 25 \dots 500 \text{ kHz}$	dB	> 90

Terminating impedance Z			
R1 C1		Ohm/pF	910 25
R2 C2		Ohm/pF	910 25

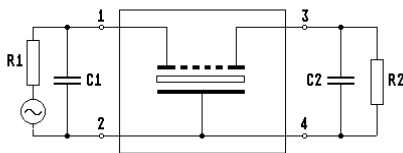
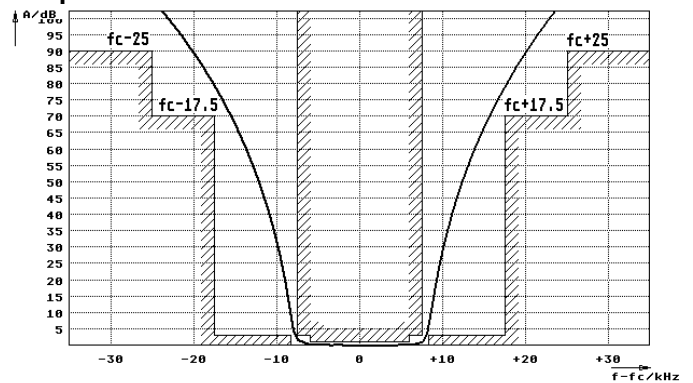
Operating temp. range	°C	-25... +70
Storage temp. range	°C	-45... +85
Environment conditions		according to CF001

Characteristics MQF10.7-1500/06

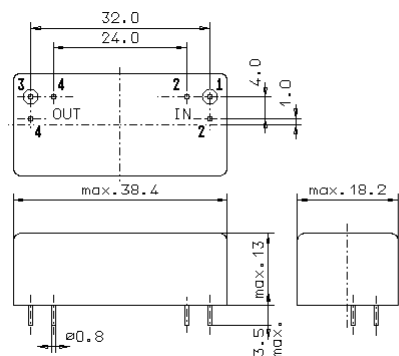
Pass band



Stop band



- Pin connections:
- 1 Input
 - 2 Ground-Input
 - 3 Output
 - 4 Ground-Output



GM17